



Dalgakiran's tailored Portair Series Screw Compressors, as an ideal choice for all kind of construction, mining, grounding, marine industry and many other applications. Every portable screw compressor model is equipped with an exclusive screw block, constructed with the strongest materials and each compressor ensure exceptional performance, efficiency and long lasting maintenance life.

### COMMITTED TO EXCELLENCE

Dalgakiran offer the complete range of portable screw compressors with the proven quality with the means of years of exceptional experience and know-how.

With time proven quality, Dalgakiran Portair Screw Compressor Series provide highly efficient solutions for many compressed air applications. Dalgakiran's Compressors are designed to supply long lasting years of efficiency and built to quality standards and suit every application needs.

### TIME PROVEN DESIGN

Continuous improvements with the innovation in material, machining, assembling techniques and quality, Dalgakiran products are beyond your expectations.

### USER FRIENDLY DESIGN

All Dalgakiran Compressor models are built for a broad range of applications, easy & minimum maintenance, have long maintenance intervals and lowest operating costs. All spare parts are easily available at all service centres across the world network of branches.

### WORLDWIDE DISTRIBUTION

Dalgakiran Compressor offers the most reliable solutions for all kind of applications worldwide. Dalgakiran compressors are represented by subsidiary companies and authorised distributors in over 50 countries.

# quality in details



**Portair Series Portable Compressors**

Technical Data

Model	Pressure bar / PSI	FAD m <sup>3</sup> / min-cfm	dBA Power*/ Pressure**	Compressor Oil Capacity l / gal us	Fuel Tank Capacity l / gal us	Compressor Air Out
PA 34	7.0/102	3.4-120	≤98* / 68**	8 / 2.11	55 / 15	2 x G¾"
PA 50	7.0/102	5.0-176	≤98* / 68**	12 / 3.7	85 / 23	1 x G1" + 2 x G¾"
	10.0/145	4.1-145				
	12.0/174	3.4-120				
PA 64	7.0/102	6.4-220	≤98* / 68**	20 / 5.8	125 / 33	1 x G1" + 2 x G¾"
PA 100	7.0/102	10.0-353	≤99* / 69**	25 / 6.6	125 / 33	1 x G1½" + 3 x G¾"
	10.0/145	8.5-300				
	12.0/174	7.5-265				

**Portair Series Portable Compressors**

Dimension

Model		Length	Width	Height	Weight (kg / lbs)	
		(mm / inch)	(mm / inch)	(mm / inch)	Dry	Ready to Operate
PA 34	Base Mounted	1800 / 71	1150 / 45	1150 / 45	400 / 881	450 / 992
	With Straight Tow-bar	2800 / 110	1400 / 55	1400 / 55	450 / 992	500 / 1100
	Braked, Adjustable Tow-bar	2800 / 110	1400 / 55	1400 / 55	-	-
PA 50	Base Mounted	1800 / 71	1150 / 45	1150 / 45	500 / 1100	550 / 1212
	With Straight Tow-bar	2800 / 110	1400 / 55	1400 / 55	600 / 1322	650 / 1433
	Braked, Adjustable Tow-bar	2800 / 110	1400 / 55	1400 / 55	-	-
PA 64	Base Mounted	2150 / 85	1190 / 47	1150 / 45	850 / 1874	950 / 2095
	With Straight Tow-bar	3200 / 126	1650 / 65	1600 / 63	950 / 2095	1050 / 2315
	Braked, Adjustable Tow-bar	3200 / 126	1650 / 65	1500 / 59	1000 / 2205	1100 / 2425
PA 100	Base Mounted	2150 / 85	1190 / 47	1250 / 50	1050 / 2315	1150 / 2535
	With Straight Tow-bar	3200 / 126	1650 / 65	1700 / 67	1150 / 2315	1250 / 2760
	Braked, Adjustable Tow-bar	3200 / 126	1650 / 65	1600 / 63	1200 / 2640	1300 / 2870

**Portair Series Portable Compressors**

Engine

Model	Brand Model	Number of Cylinder	Emission Level	Speed Full Load / Idling (rpm)	Power kW / Hp	Engine Oil Capacity (l / gal us)
PA 34	KUBOTA V1505-E3B	4	TIER 4 / EU 3A	3000 / 1500	26.2 / 35	6 / 1.6
PA 50	KUBOTA V1505-T-E3B	4	TIER 4 / EU 3A	3000 / 1500	33 / 44	6.7 / 1.8
PA 64	KUBOTA V2403-MT	4	TIER 4 / EU 3A	2700 / 1300	44 / 59	9.5 / 2.5
PA 100	KUBOTA V3800 MT	4	TIER 3 / EU 3A	2600 / 1300	75 / 100	13.2 / 3.5

\* Guaranteed Sound Power Level According To Directive 2000/14/EU - Stage 2  
 \*\* Surface Sound Pressure Level According To Directive ISO 3744, (r = 10 m)

# PA34-PA50 Portable Rotary Screw Air Compressors

The PA34-PA50 Mobile Compressors are the ultimate product of Dalgakiran's new engineering concept which is designed to provide exceptional performance even under extreme conditions.

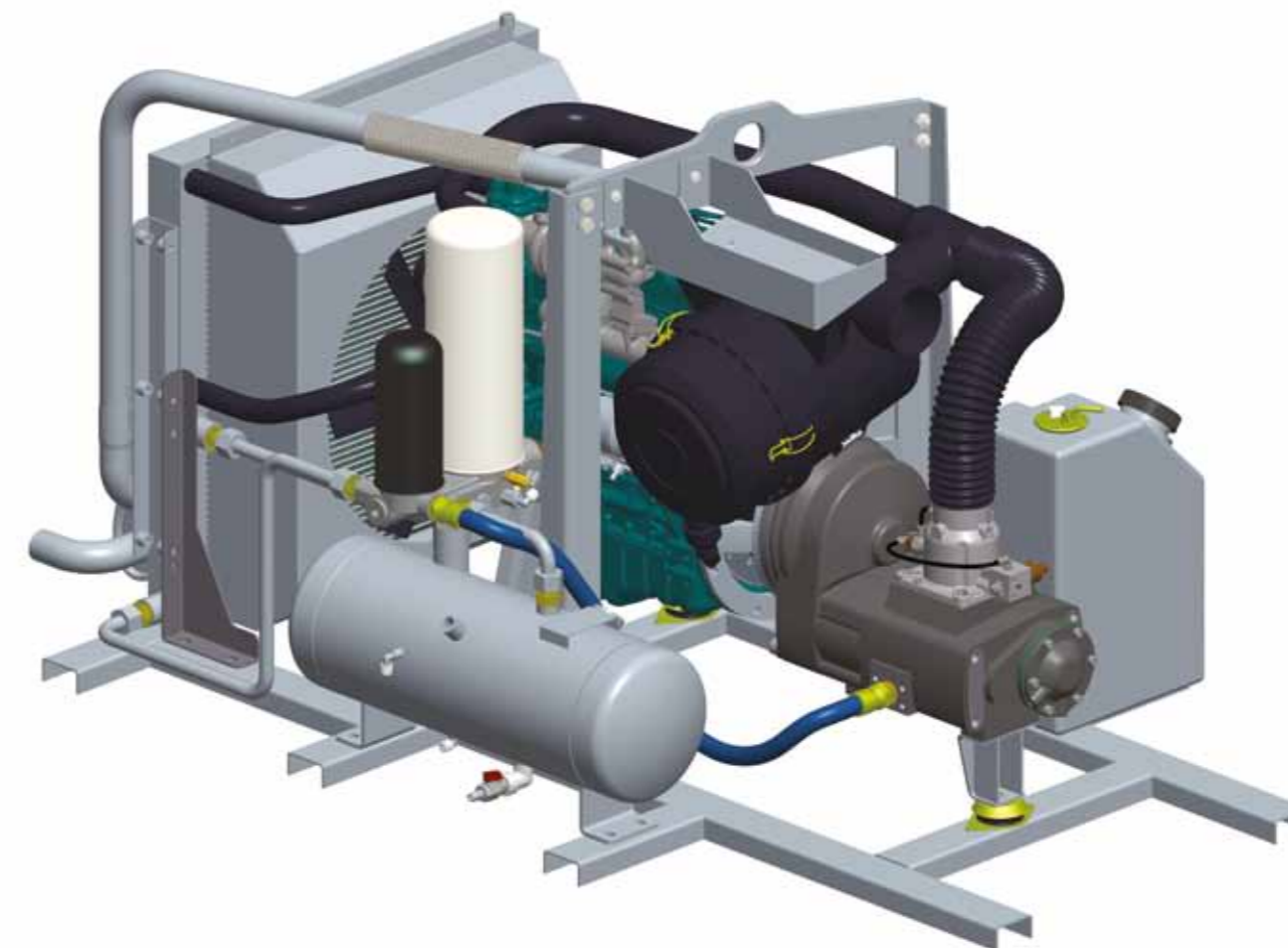
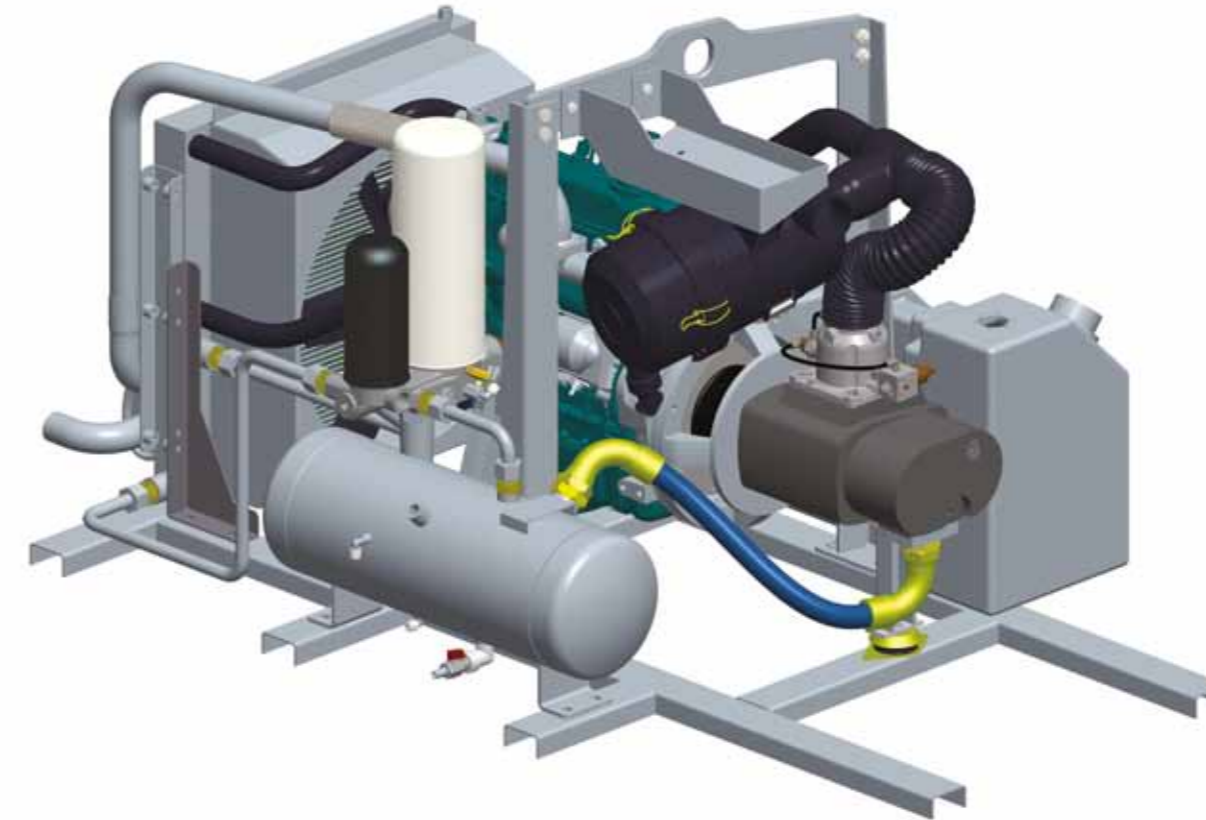
The PA 34 has 3.4 m<sup>3</sup>/min. F.A.D. @ 7 bar. It is capable powering one big size pneumatic breaker. On the other hand, PA 50 is ideal for two pneumatic breakers with its 5.0 m<sup>3</sup>/min. capacity @ 7 bar.

In the PA34-PA50, engine and airend are both controlled by air demand via stepless, control method to save fuel and to reduce operating cost consequently.

The one-piece canopy is manufactured by using high pressure RTM molding technology and provides easy access to all components inside the compressor. As the canopy is made of composite materials, it is naturally lightweight and very resistant to corrosion and possible impacts.



PA 34 is driven by KUBOTA V1505-E3B diesel engine. It is a 4-cylinder, water cooled naturel aspirated engine. In contrast, turbo charged KUBOTA V1505-T-E3B diesel engine is used in PA 50. These engines complies with EPA interim Tier 4 emission regulations which are the most stringent in this class. By direct transmission, mechanical power losses, associated with other transmission methods, are eliminated. Thus, more pressurized air is generated with less fuel and saves your money. Also vibration and sound levels remarkably decreased by this way.



**FUEL TANK**

PA34 has a specially designed composite fuel tank with 55L. capacity. This is the biggest tank capacity ever achieved in it's size and provides up to 7 hours continuous working at full load and 16 hours at partial load.

PA50 has a specially designed composite fuel tank with 85L. capacity. This is the biggest tank capacity ever achieved in it's size and provides up to 9 hours continuous working at full load and 18 hours at partial load.



# PA64-PA100 Portable Rotary Screw Air Compressors

The PA64-PA100 Mobile Compressors are the Dalgakiran's new concepts which are designed to provide exceptional performance even in extreme conditions. The PA64 has 6.4 m<sup>3</sup>/min F.A.D. @7 bar and The PA100 has 10.0 m<sup>3</sup>/min F.A.D. @7.0 bar. In the PA64-PA100, engine and airoend both controlled by air demand via stepless, control method to save fuel and thus reduce operating cost.

The one-piece canopy was manufactured by using high pressure RTM molding technology and provides easily access to all components inside the compressor. Because of the canopy was made of composite materials, it is naturally, lightweight and very resistant to corrosion and impacts.



In the PA64, efficient and robust rotary screw airoend is directly driven by KUBOTA V2403-MT diesel engine. 4 cylinder, water-cooled and turbo charged engine complies with EPA interim Tier 4 emission regulations which are the most stringent in this class.

In the PA100, efficient and robust rotary screw airoend is directly driven by KUBOTA V3800-MT diesel engine. 4 cylinder, water-cooled and turbo charged engine complies with EPA interim Tier 3 emission regulations.

By direct transmission, mechanical power losses, associated with other transmission methods, are eliminated. Thus, more pressurized air is generated with less fuel and saves your money. Also vibration and sound levels remarkably decreased by this way.



## CONTROL PANEL



PA64-PA100 has an ergonomic and very simple control panel including; pressure gauge, fuel level monitor and working timer. Emergency system of the compressor not only provides safe operation for compressor but also for the engine.

## FUEL TANK

Specially designed composite fuel tank with 125 L. capacity is used in both PA 64 and PA 100.

This fuel tank provides the biggest fuel tank capacity for PA 64 in its class. By this fuel tank, PA 64 can run up to 11 hours at full load and 21 hours at partial loads.

On the other hand, for PA 100 fuel tank provides up to 7 hours continuous working at full load and 16 hours working duration at partial loads.